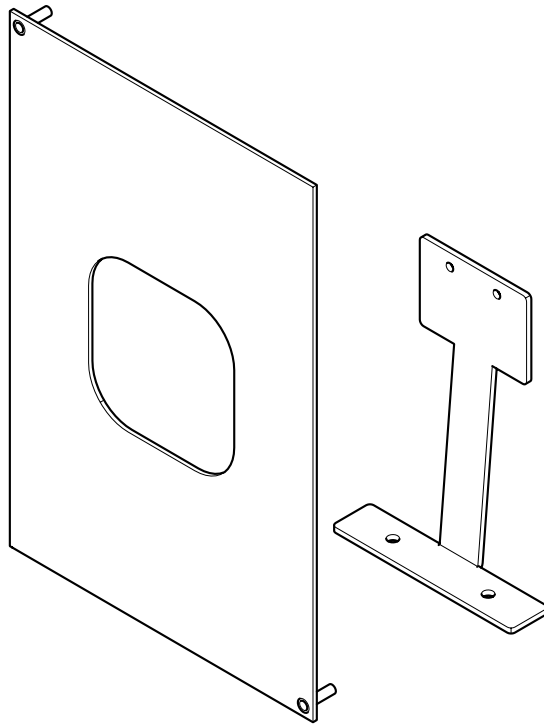


Installation Guide

SPSK500

SCO Kiosk set for Magellan 1500i scanner



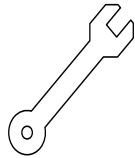
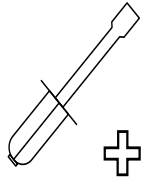
CAUTION

This product is intended for indoor use only.

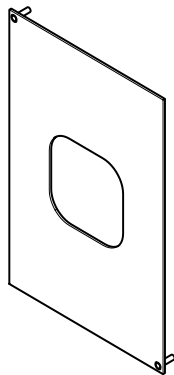
If these installation instructions are not followed correctly, it could lead to product failure and potential personal injury.

Ergonomic Solutions/SpacePole cannot be held responsible for any failure or injury, if the installation instructions are not followed correctly.

Tool list



Box content



x1 Scanner cover (A)



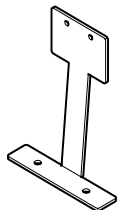
x2 M4 nuts



x2 M4x8

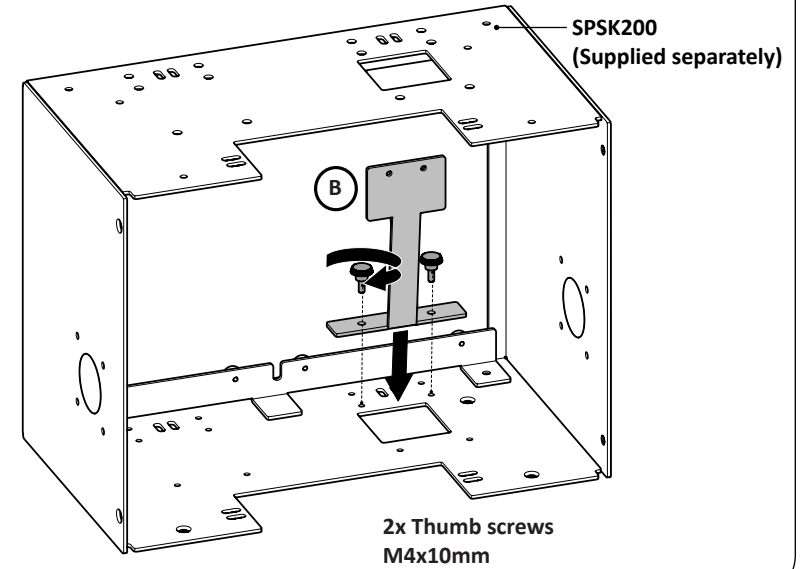


x2 Thumb screws
M4x10mm

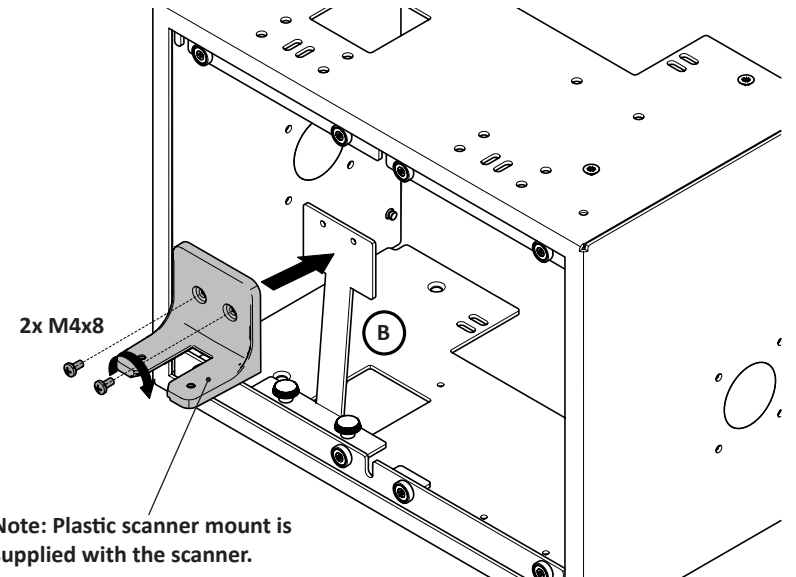


x1 Scanner bracket (B)

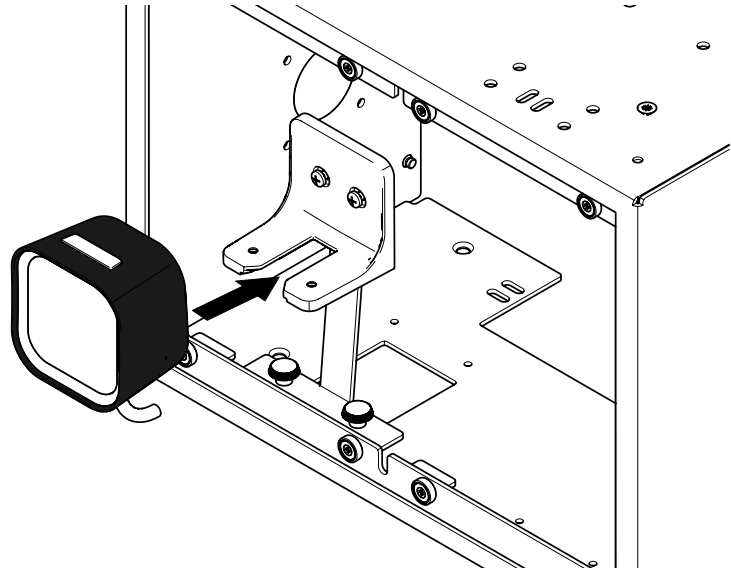
1 Mount scanner bracket



2 Mount scanner mount

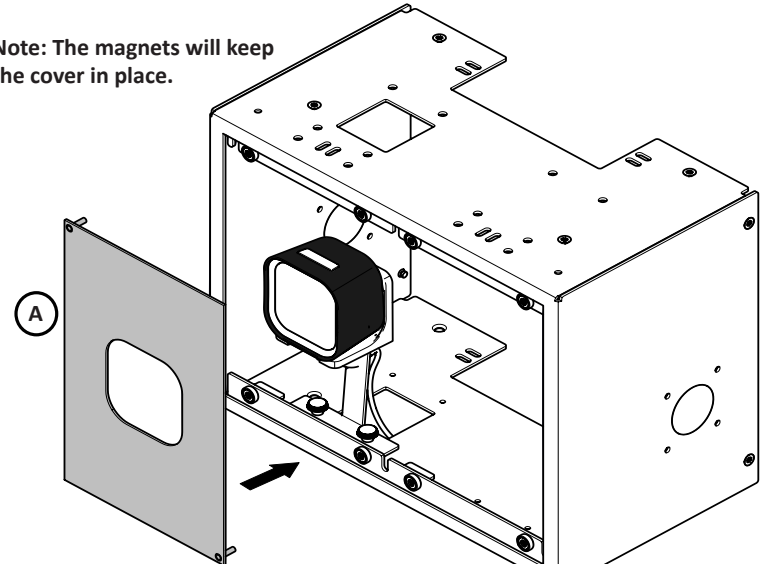


3 Push scanner in to place

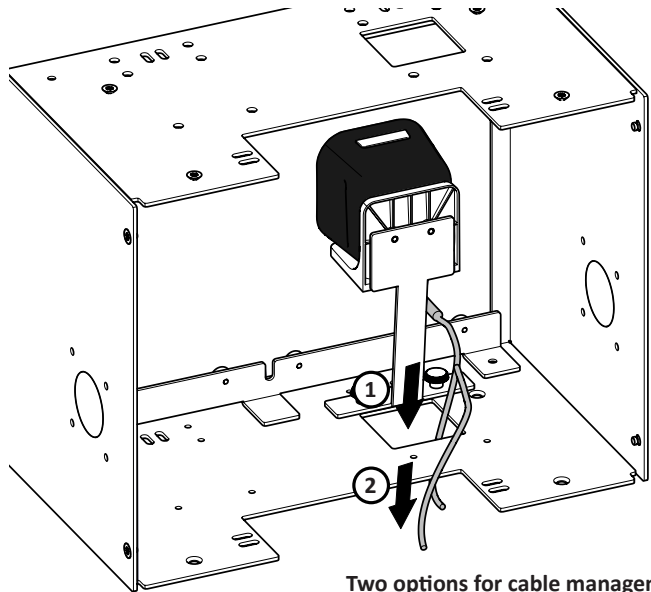


5 Mount scanner cover

Note: The magnets will keep the cover in place.

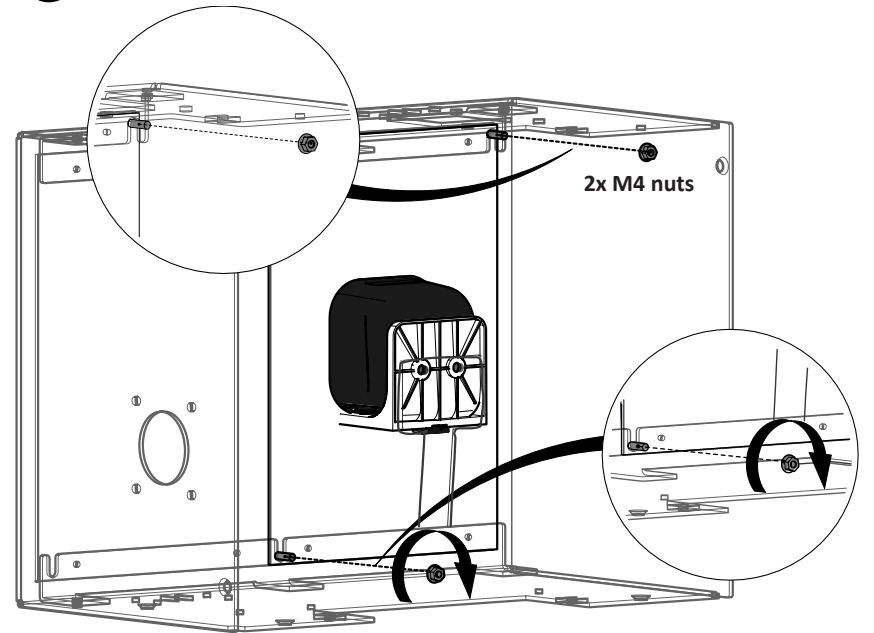


4 Cable management



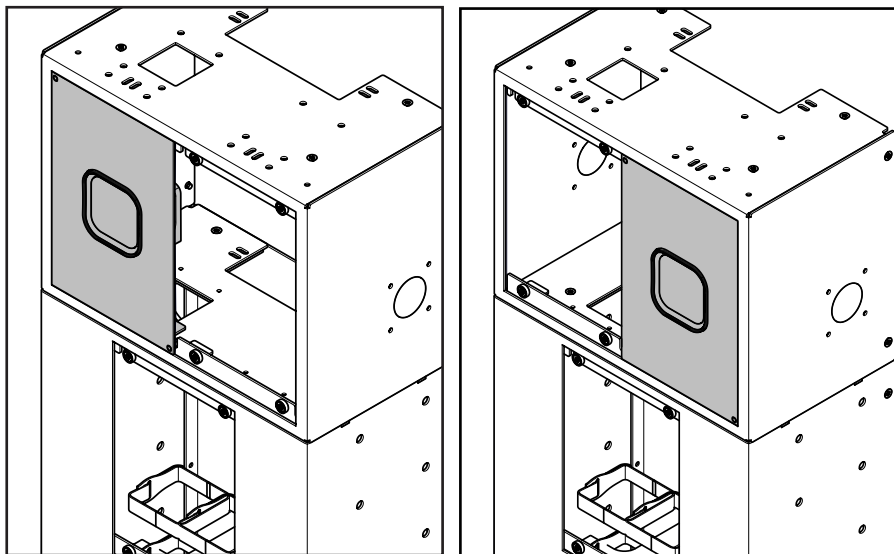
Two options for cable management.

6 Optional: Secure the scanner cover



Three location options for SCO kiosk set

Center module



Floorstand

